

88 PL100  
15 WAY R-ANGLE DRANGE PLUG



03A	ADDED AMP TO IF CIRCUIT	MAJ					
02A	UPDATED	MAJ					
01A	ADDED VCO ON TO BOARD	MAJ	P.M/S.H	D.E	R.C	17-9-99	
0A	ORIGINAL	MAJ	PMG	DE	RC	01-03-99	
REV/ISS	AMENDMENTS	DRAWN	CHKD	D.O.	APVD	DATE	

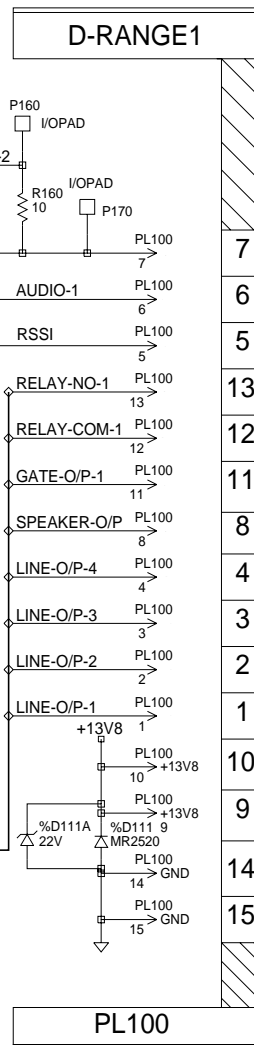
PRODUCT INDICATORS								
-10	-13	-15	-20	-23	-25	-30	-35	-
T88510 2K2	T88513 2K2	T88515 2K2	T88520 2K2	T88523 2K2	T88525 2K2	T88530 2K2	T88535 2K2	T885- 2K2

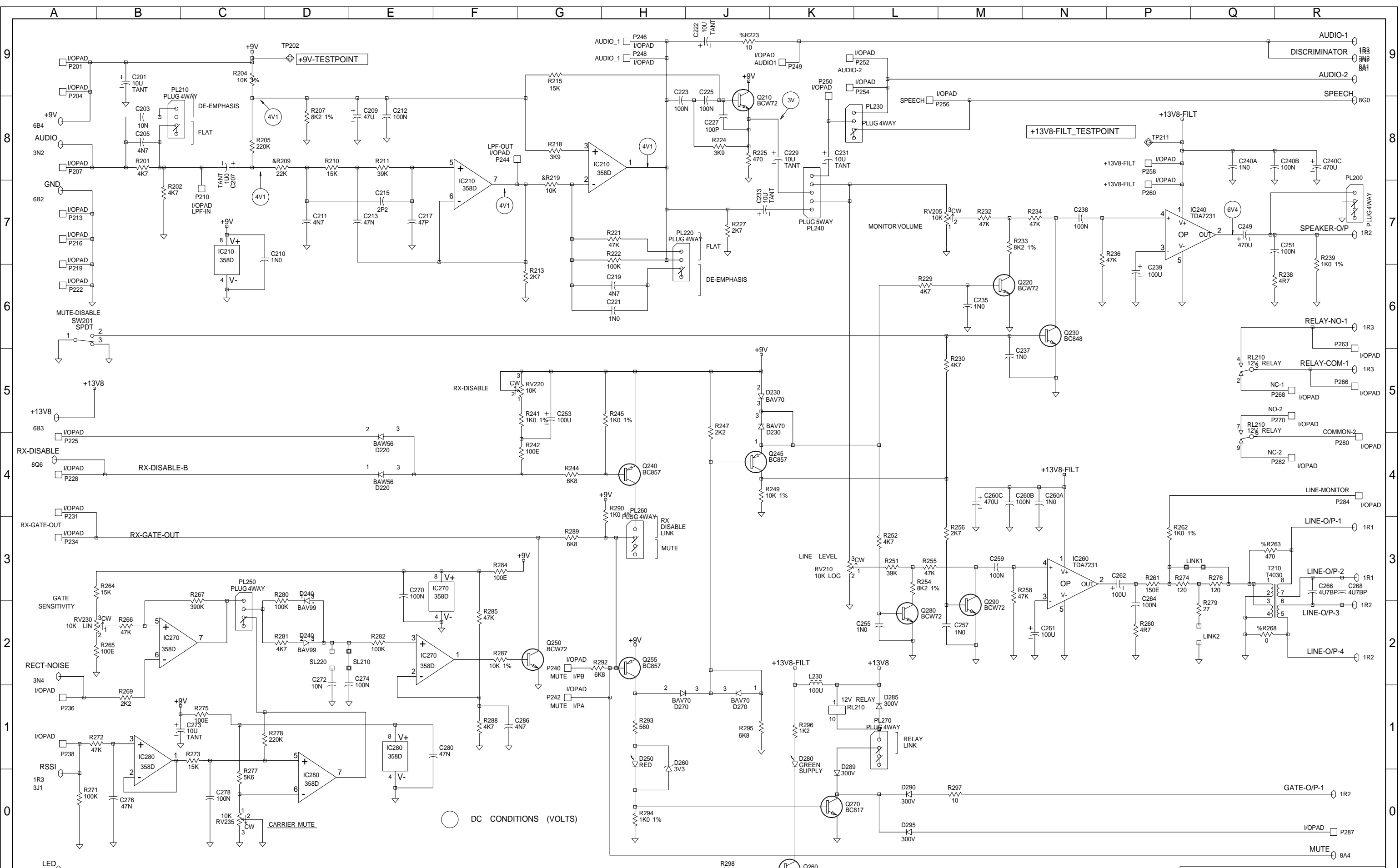
DGND & GND ARE CONNECTED THROUGH R617 ON SHEET 6

© TAIT ELECTRONICS  
T885 RECEIVER

IPN: 220-01595-03 ISSUE: 3C ID: 2.SC. 1

PROJECT: T885RX DESIGNER: MAJ FILE NAME: 159503c FILE DATE: 23-Jan-01 NO.SHEETS: 9



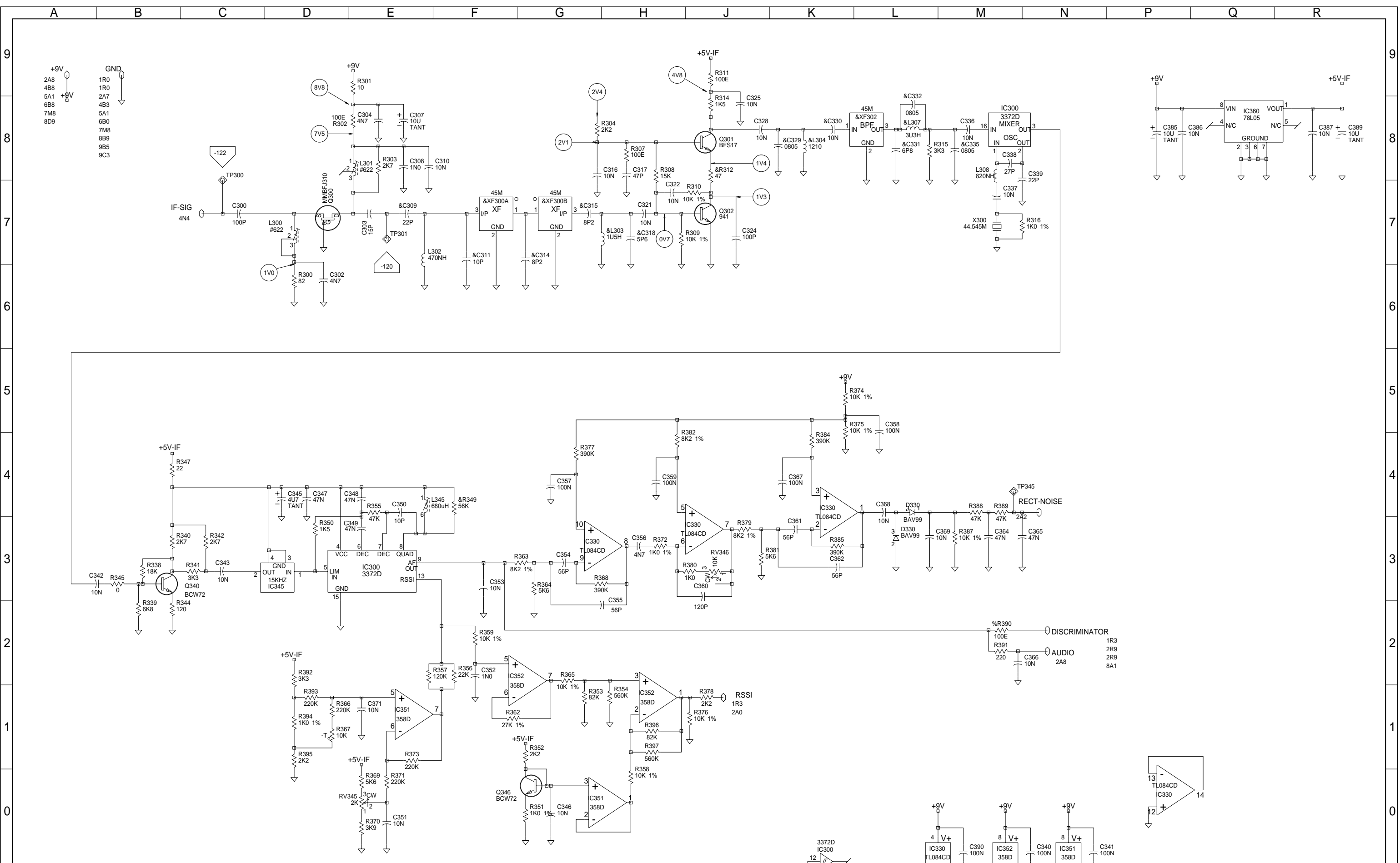


REV/ISS	AMENDMENTS	DRAWN	CHKD	D.O.	APVD	DATE
03A	ADDED AMP TO IF CIRCUIT	MAJ				
02A	UPDATED	MAJ				
01A	ADDED VCO ON TO BOARD	MAJ	P.M/S.H	D.E	R.C	17-9-99
0A	ORIGINAL	MAJ	PMG	DE	RC	01-03-99

**TAIT ELECTRONICS**

**T885  
AUDIO PROCESSOR**

IPN: 220-01595-03	ISSUE: 3C	ID: 2.SC. 2
PROJECT: T885RX	DESIGNER: MAJ	FILE NAME: 159503c
FILE DATE: 23-Jan-01	NO. SHEETS: 9	



03A	ADDED AMP TO IF CIRCUIT	MAJ				
02A	UPDATED	MAJ				
01A	ADDED VCO ON TO BOARD	MAJ	P.M/S.H	D.E	R.C	17-9-99
0A	ORIGINAL	MAJ	PMG	DE	RC	01-03-99
REV/ISS	AMENDMENTS	DRAWN	CHKD	D.O.	APVD	DATE

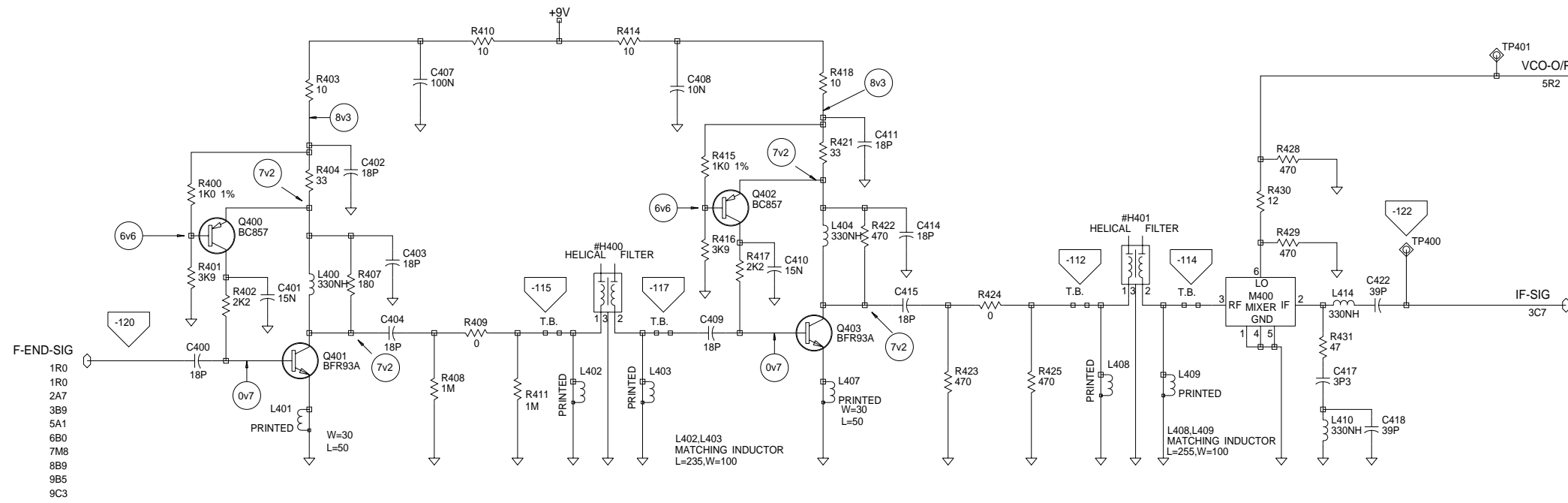
© TAIT ELECTRONICS

**T885 IF**

IPN: 220-01595-03    ISSUE: 3C    ID: 2.SC. 3

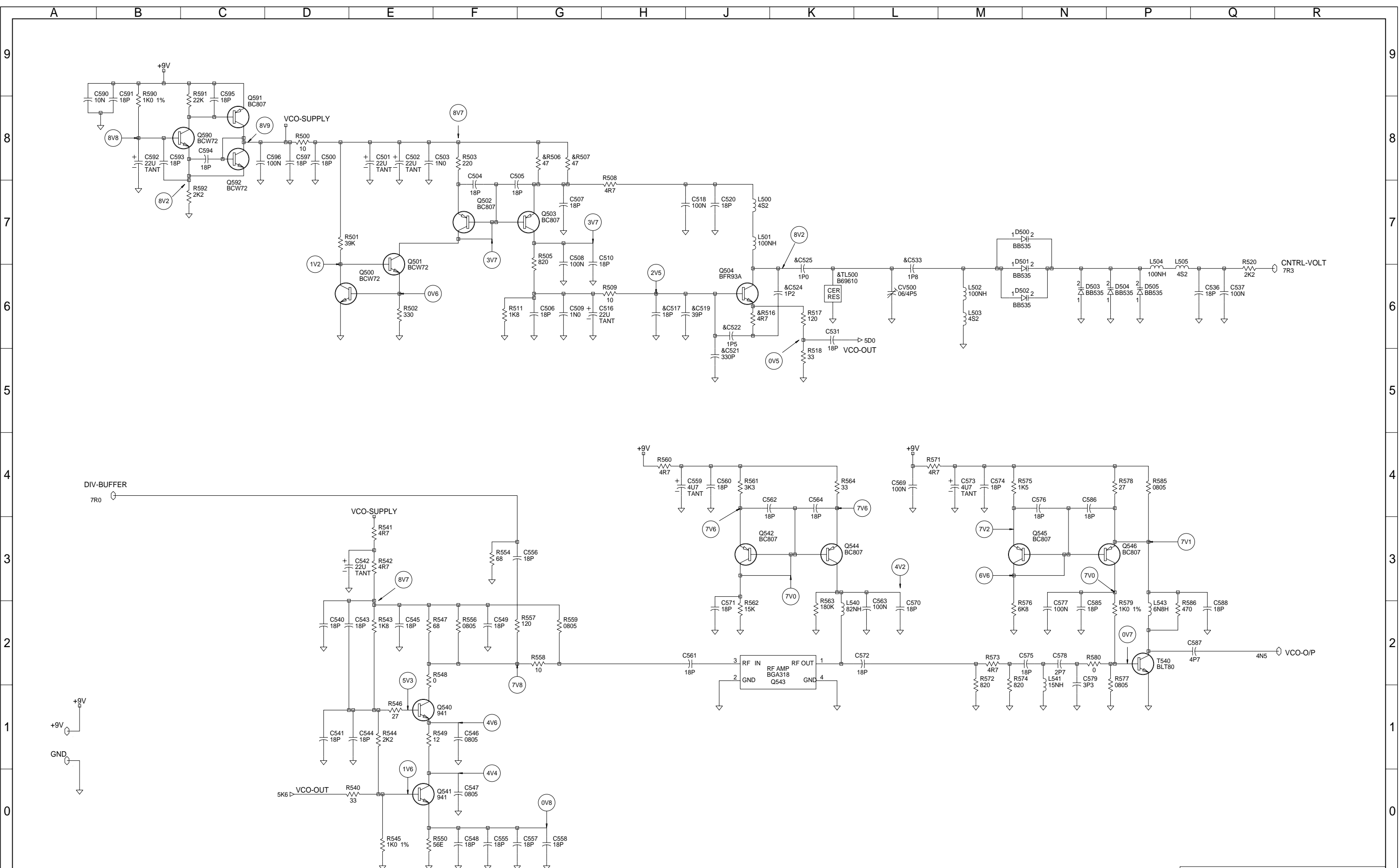
PROJECT: T885RX    DESIGNER: MAJ    FILE NAME: 159503c    FILE DATE: 23-Jan-01    NO.SHEETS: 9

+9V	GND
2A8	1R0
3A9	1R0
5A1	2A7
6B8	3B9
7M8	5A1
8D9	6B0
	7M8
	8B9
	9B5
	9C3



03A	ADDED AMP TO IF CIRCUIT	MAJ				
02A	UPDATED	MAJ				
01A	ADDED VCO ON TO BOARD	MAJ	P.M/S.H	D.E	R.C	17-9-99
0A	ORIGINAL	MAJ	PMG	DE	RC	01-03-99
REV/ISS	AMENDMENTS	DRAWN	CHKD	D.O.	APVD	DATE

© TAIT ELECTRONICS					
T885 FRONT END					
IPN:	ISSUE:	ID:			
220-01595-03	3C	2.SC. 4			
PROJECT:	DESIGNER:	FILE NAME:	FILE DATE:	NO.SHEETS:	
T885RX	MAJ	159503c	23-Jan-01	9	



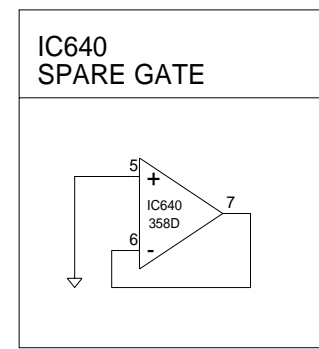
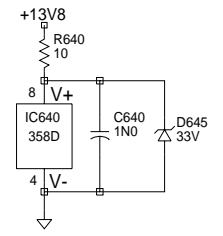
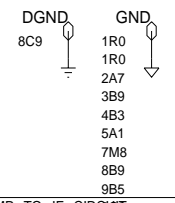
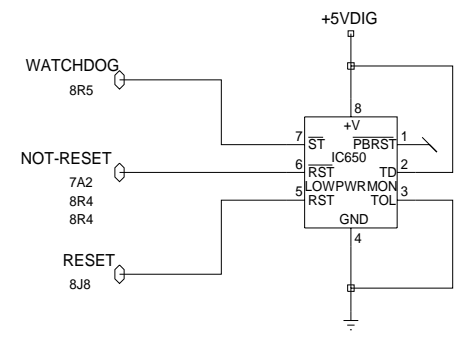
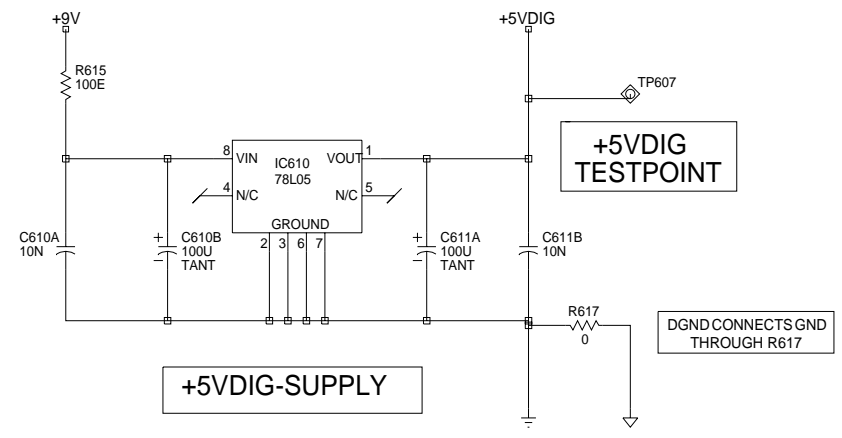
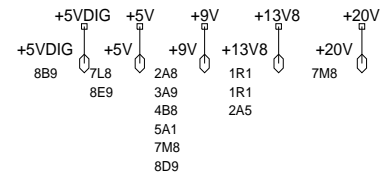
03A	ADDED AMP TO IF CIRCUIT	MAJ				
02A	UPDATED	MAJ				
01A	ADDED VCO ON TO BOARD	MAJ	P.M/S.H	D.E	R.C	17-9-99
0A	ORIGINAL	MAJ	PMG	DE	RC	01-03-99
REV/ISS	AMENDMENTS	DRAWN	CHKD	D.O.	APVD	DATE

© TAIT ELECTRONICS

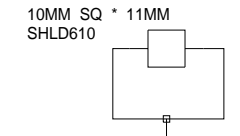
T885  
VCO

IPN: 220-01595-03    ISSUE: 3C    ID: 2.SC. 5

PROJECT: T885RX    DESIGNER: MAJ    FILE NAME: 159503c    FILE DATE: 23-Jan-01    NO.SHEETS: 9



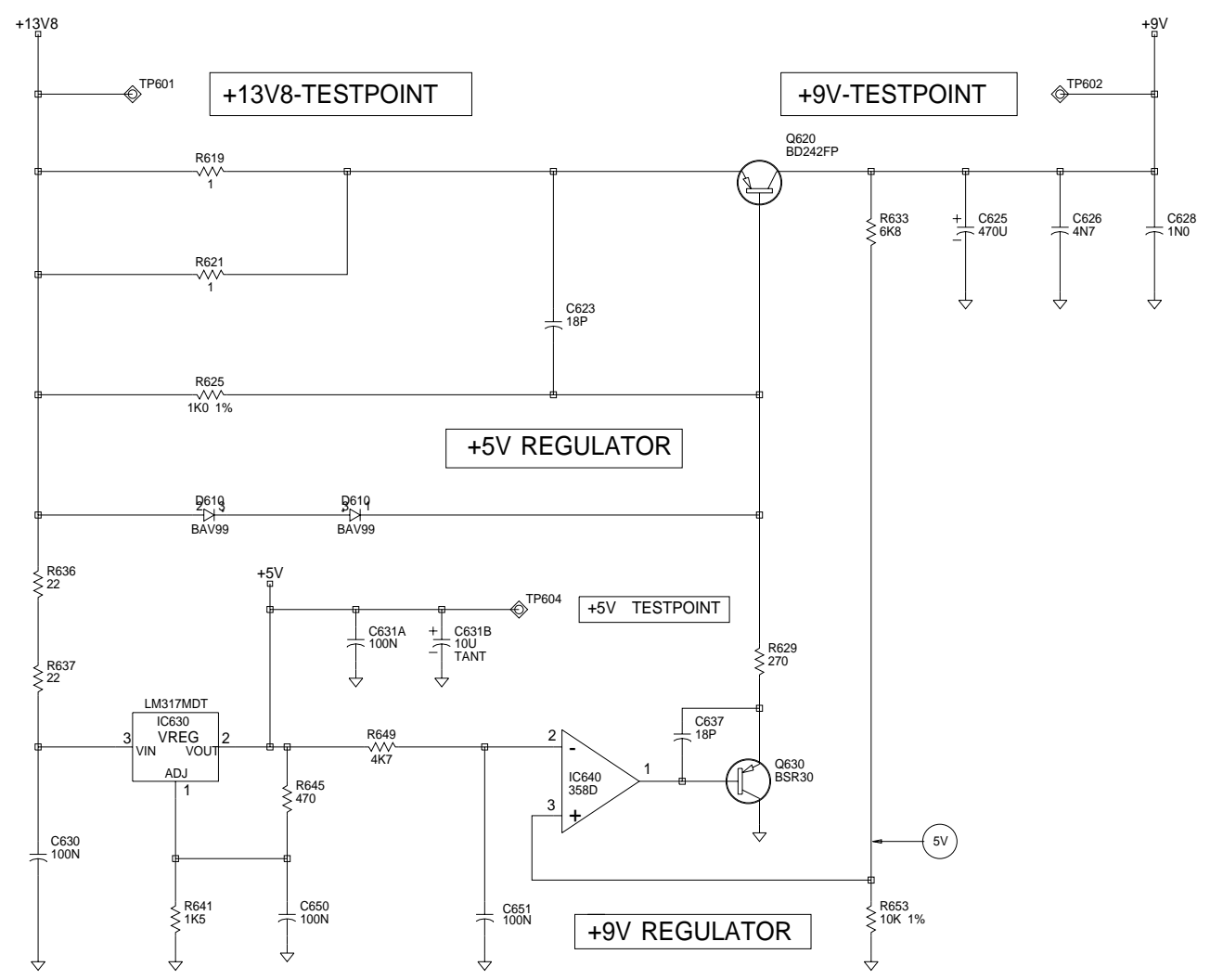
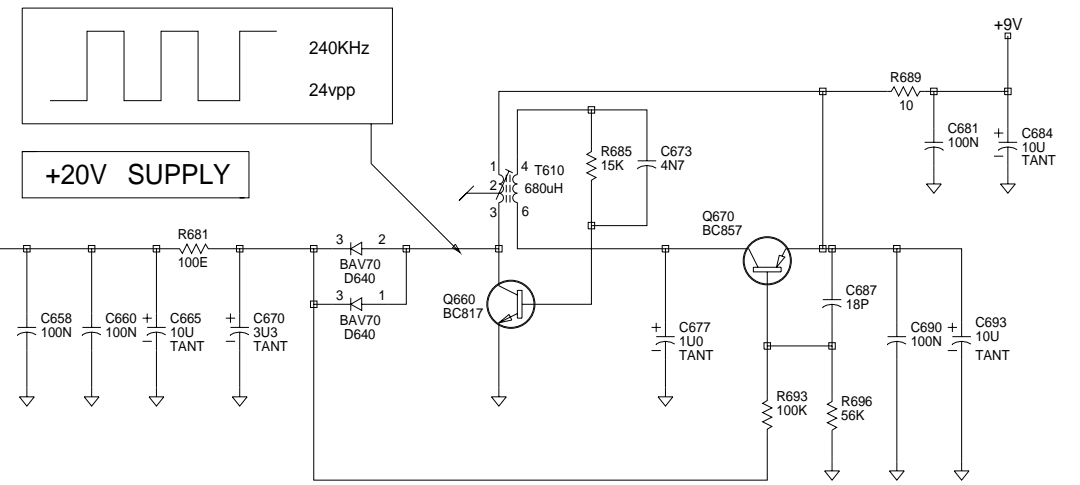
CAN TO SHIELD T610



+20V TESTPOINT

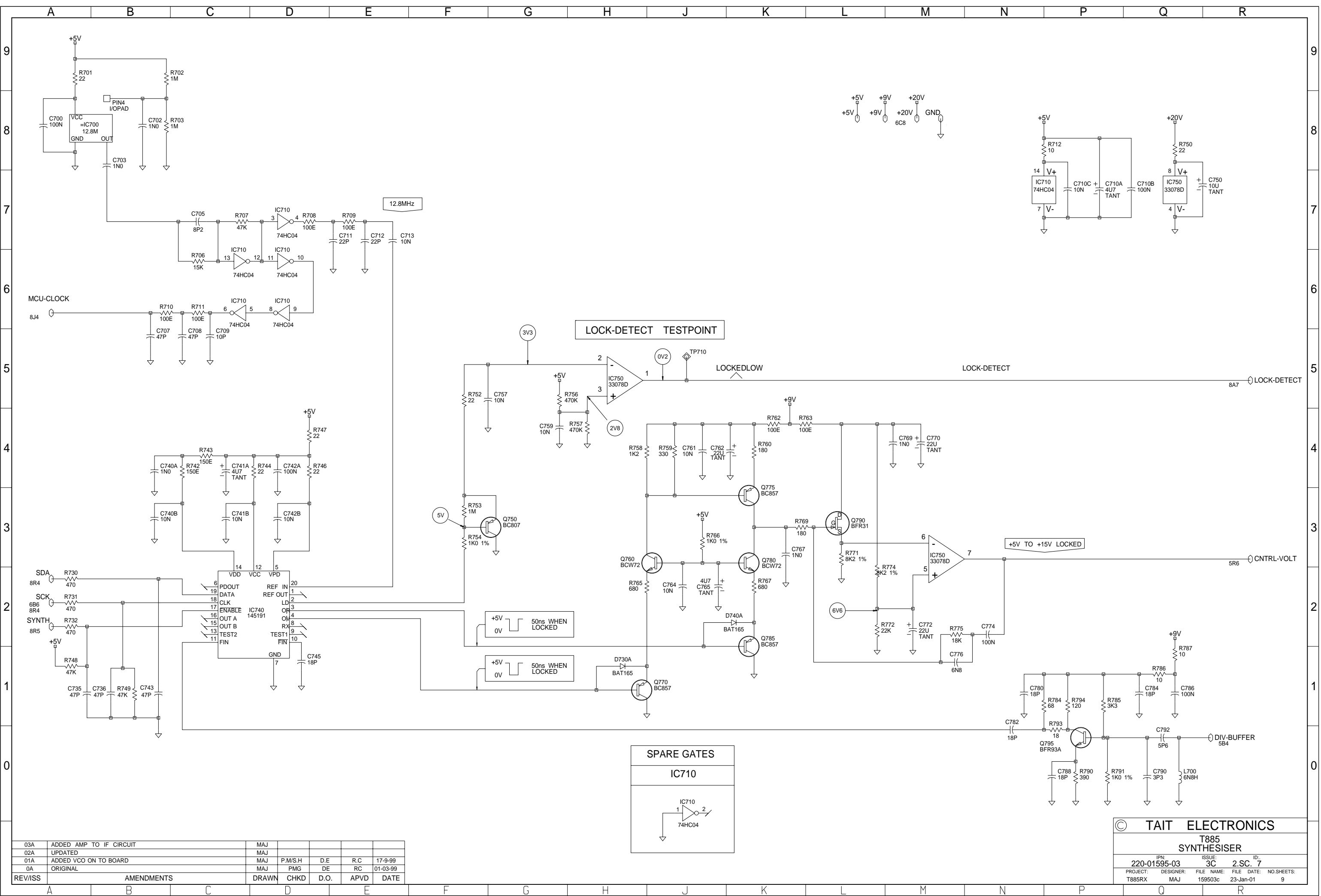
TP603

+20V SUPPLY



03A	ADDED AMP TO IF CIRCUIT	MAJ				
02A	UPDATED	MAJ				
01A	ADDED VCO ON TO BOARD	MAJ	P.M/S.H	D.E	R.C	17-9-99
0A	ORIGINAL	MAJ	PMG	DE	RC	01-03-99
REV/ISS	AMENDMENTS	DRAWN	CHKD	D.O.	APVD	DATE

© TAIT ELECTRONICS			
T885 REGULATOR			
IPN: 220-01595-03	ISSUE: 3C	ID: 2.SC. 6	
PROJECT: T885RX	DESIGNER: MAJ	FILE NAME: 159503c	FILE DATE: 23-Jan-01
			NO.SHEETS: 9



03A	ADDED AMP TO IF CIRCUIT	MAJ				
02A	UPDATED	MAJ				
01A	ADDED VCO ON TO BOARD	MAJ	P.M/S.H	D.E	R.C	17-9-99
0A	ORIGINAL	MAJ	PMG	DE	RC	01-03-99
REV/ISS	AMENDMENTS	DRAWN	CHKD	D.O.	APVD	DATE

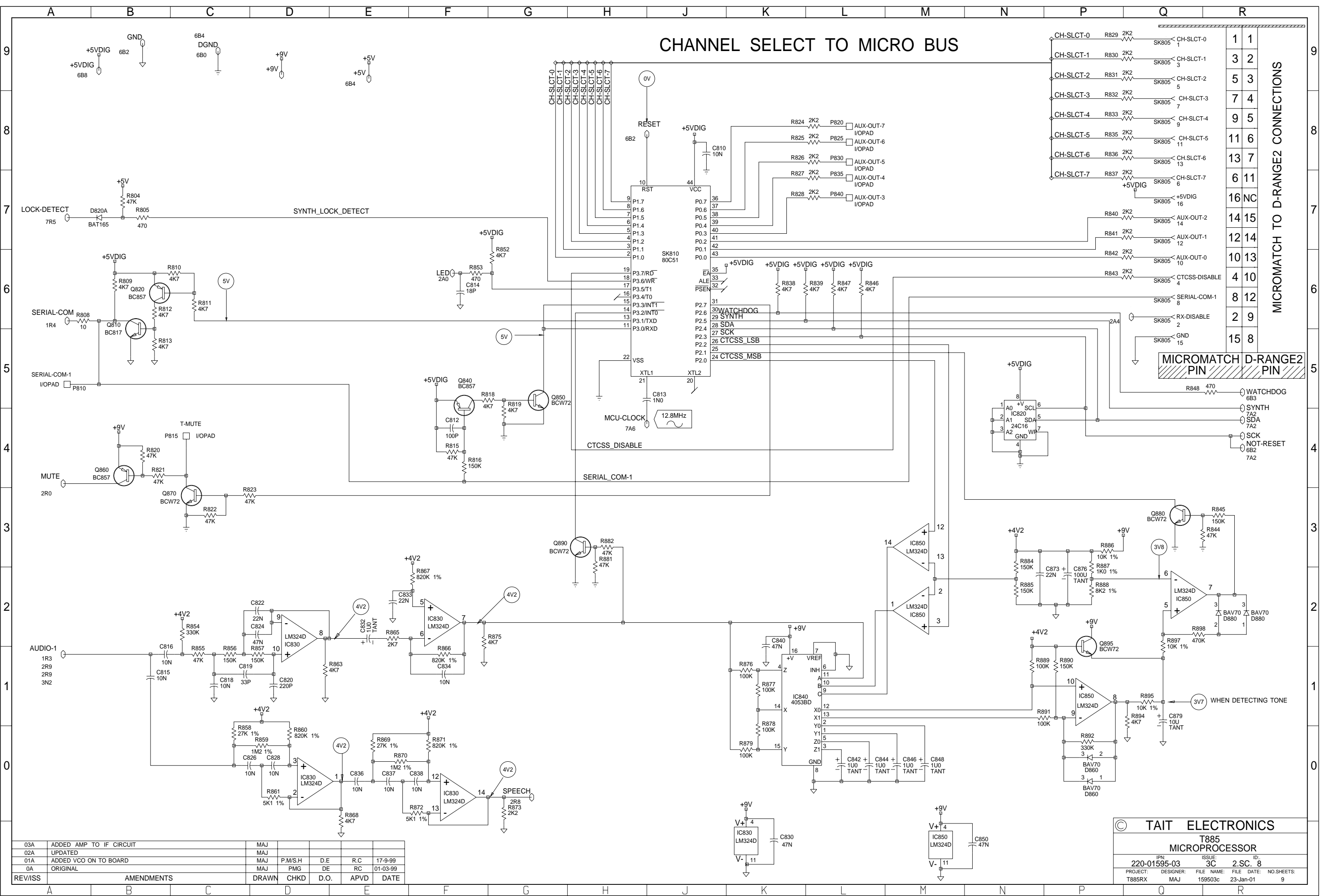
© TAIT ELECTRONICS

T885 SYNTHESISER

IPN: 220-01595-03    ISSUE: 3C    ID: 2.S.C. 7

PROJECT: T885RX    DESIGNER: MAJ    FILE NAME: 159503c    FILE DATE: 23-Jan-01    NO.SHEETS: 9

# CHANNEL SELECT TO MICRO BUS



CH-SLCT-0	R829 2K2	SK805 <	CH-SLCT-0	1	1
CH-SLCT-1	R830 2K2	SK805 <	CH-SLCT-1	3	2
CH-SLCT-2	R831 2K2	SK805 <	CH-SLCT-2	5	3
CH-SLCT-3	R832 2K2	SK805 <	CH-SLCT-3	7	4
CH-SLCT-4	R833 2K2	SK805 <	CH-SLCT-4	9	5
CH-SLCT-5	R835 2K2	SK805 <	CH-SLCT-5	11	6
CH-SLCT-6	R836 2K2	SK805 <	CH-SLCT-6	13	7
CH-SLCT-7	R837 2K2	SK805 <	CH-SLCT-7	6	11
		SK805 <	+5VDIG	16	NC
		SK805 <	AUX-OUT-2	14	15
		SK805 <	AUX-OUT-1	12	14
		SK805 <	AUX-OUT-0	10	13
		SK805 <	CTCSS-DISABLE	4	10
		SK805 <	SERIAL-COM-1	8	12
		SK805 <	RX-DISABLE	2	9
		SK805 <	GND	15	8

MICROMATCH TO D-RANGE2 CONNECTIONS

MICROMATCH D-RANGE2 PIN

REV/ISS	AMENDMENTS	DRAWN	CHKD	D.O.	APVD	DATE
03A	ADDED AMP TO IF CIRCUIT	MAJ				
02A	UPDATED	MAJ				
01A	ADDED VCO ON TO BOARD	MAJ	P.M/S.H	D.E	R.C	17-9-99
0A	ORIGINAL	MAJ	PMG	DE	RC	01-03-99

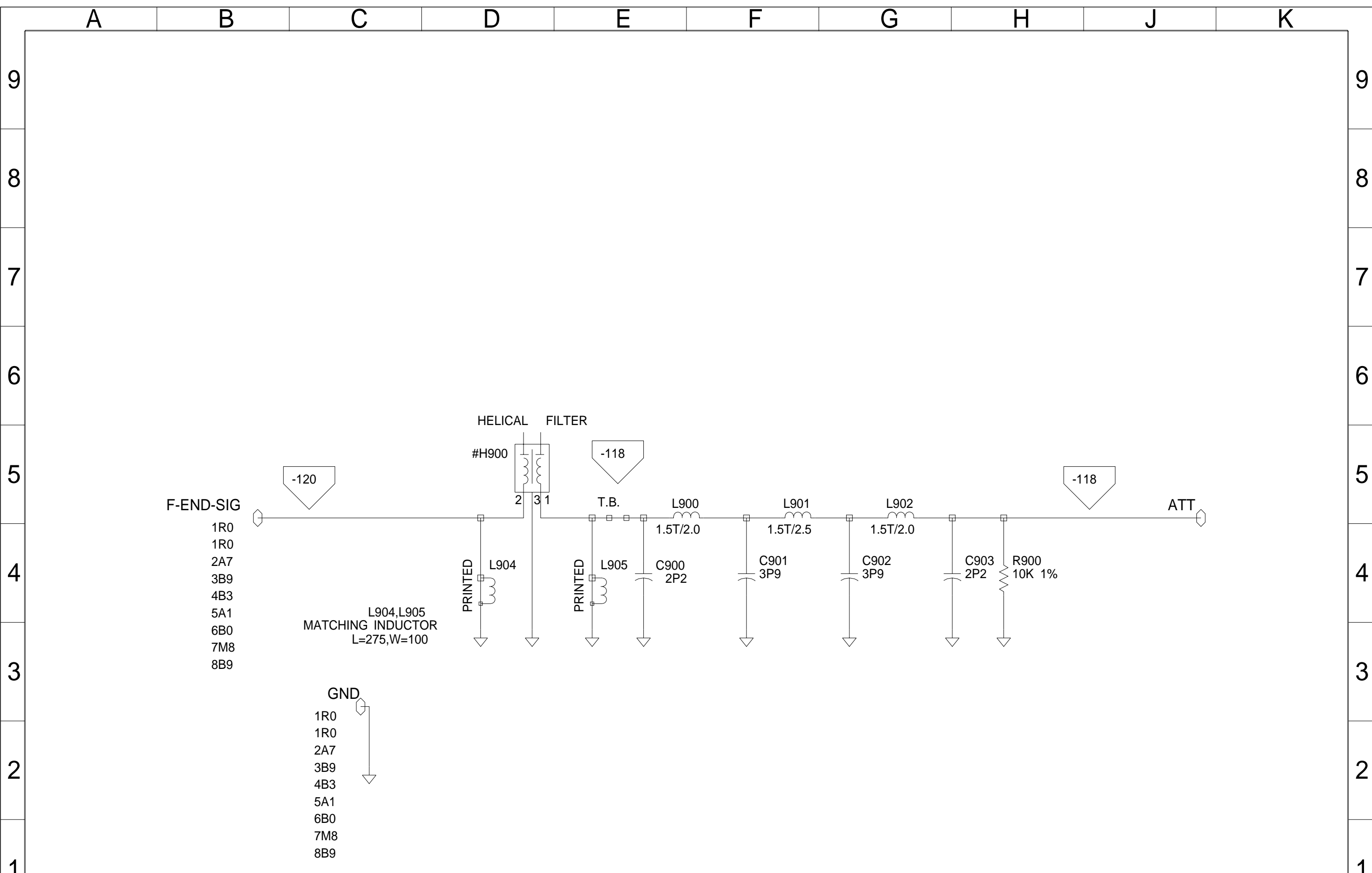
© TAIT ELECTRONICS

T885 MICROPROCESSOR

IPN: 220-01595-03    ISSUE: 3C    ID: 2.SC. 8

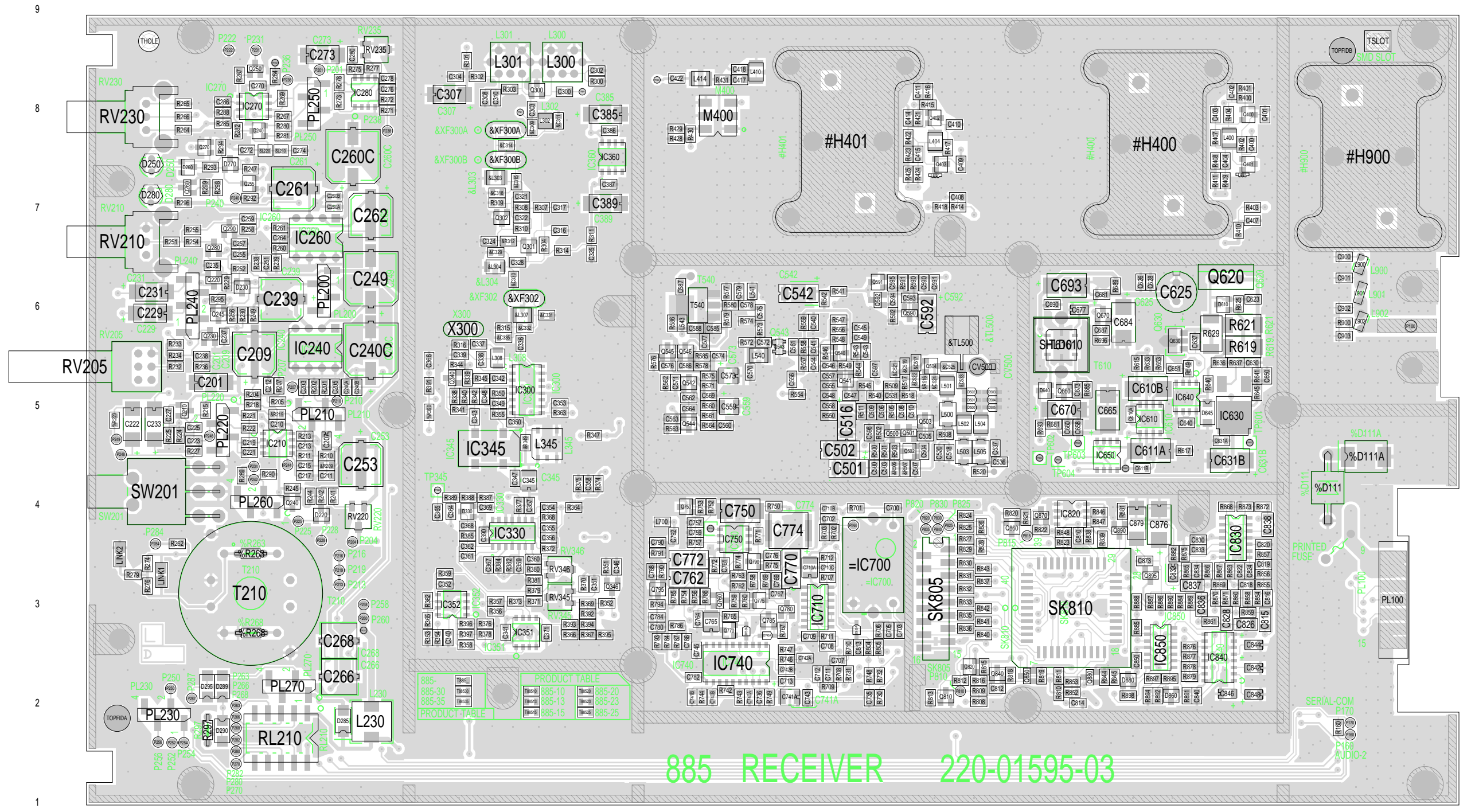
PROJECT: T885RX    DESIGNER: MAJ    FILE NAME: 159503c    FILE DATE: 23-Jan-01    NO.SHEETS: 9





REV/ISS	AMENDMENTS	DRAWN	CHKD	D.O.	APVD	DATE
03A	ADDED AMP TO IF CIRCUIT	MAJ				
02A	UPDATED	MAJ				
01A	ADDED VCO ON TO BOARD	MAJ	P.M/S.H	D.E	R.C	17-9-99
0A	ORIGINAL	MAJ	PMG	DE	RC	01-03-99

© TAIT ELECTRONICS  
 T885  
 HARMONIC FILTER  
 IPN: 220-01595-03 ISSUE: 3C ID: 2.SC. 9  
 PROJECT: T885RX DESIGNER: MAJ FILE NAME: 159503c FILE DATE: 23-Jan-01 NO.SHEETS: 9



A B C D E F G H J K L M N P Q

TAIT ELECTRONICS IPN: 220-01595-03 ISS: C ID: 1.TA DATE: 24 Jan 2001  
 885 RECEIVER PCB LAYOUT - TOP SIDE

Scale: 1:2.1 ; Rotation: 0 degrees